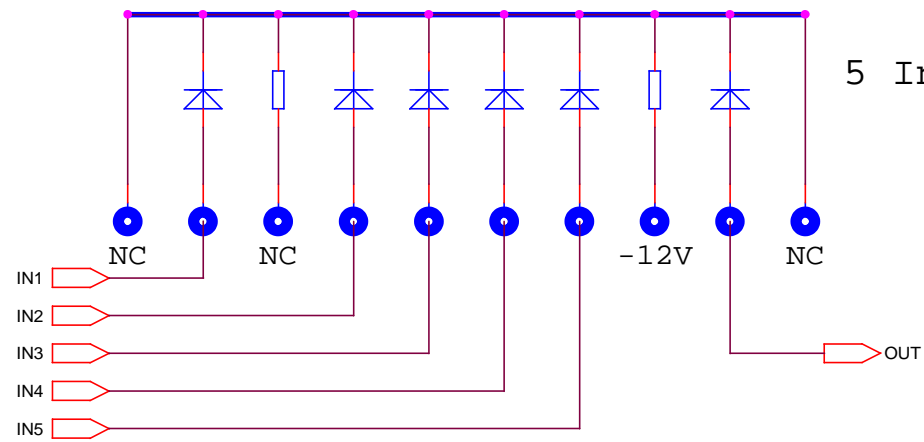


Basic AND/OR Module
6 Diodes and 2 Resistors

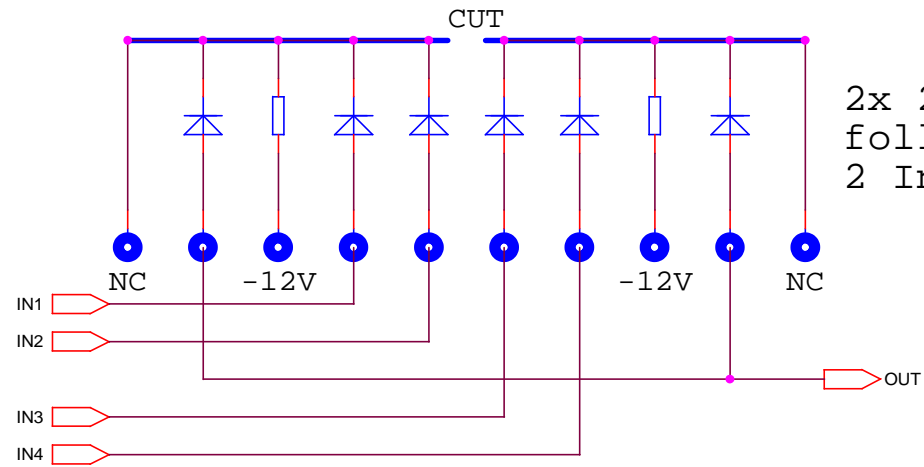
Crossbar at top can be cut
in several locations

Outputs can be "wired-OR"
with other AND/OR
module outputs

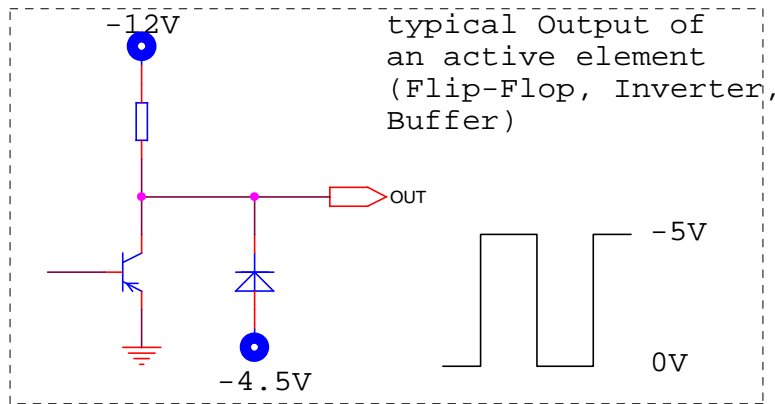
AND/OR
Module



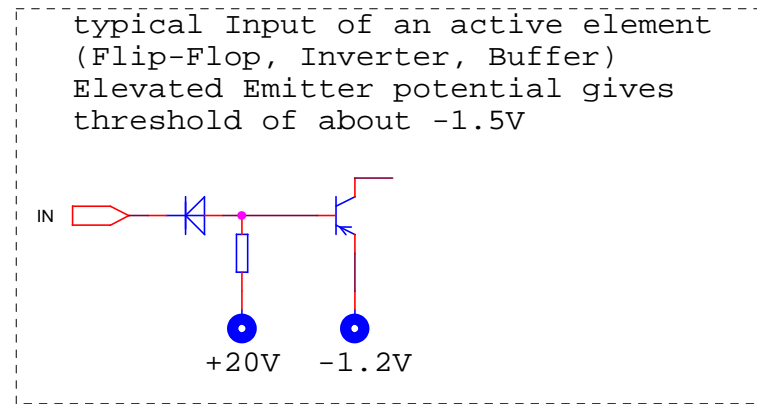
5 Input AND



2x 2 Input AND
followed by
2 Input OR

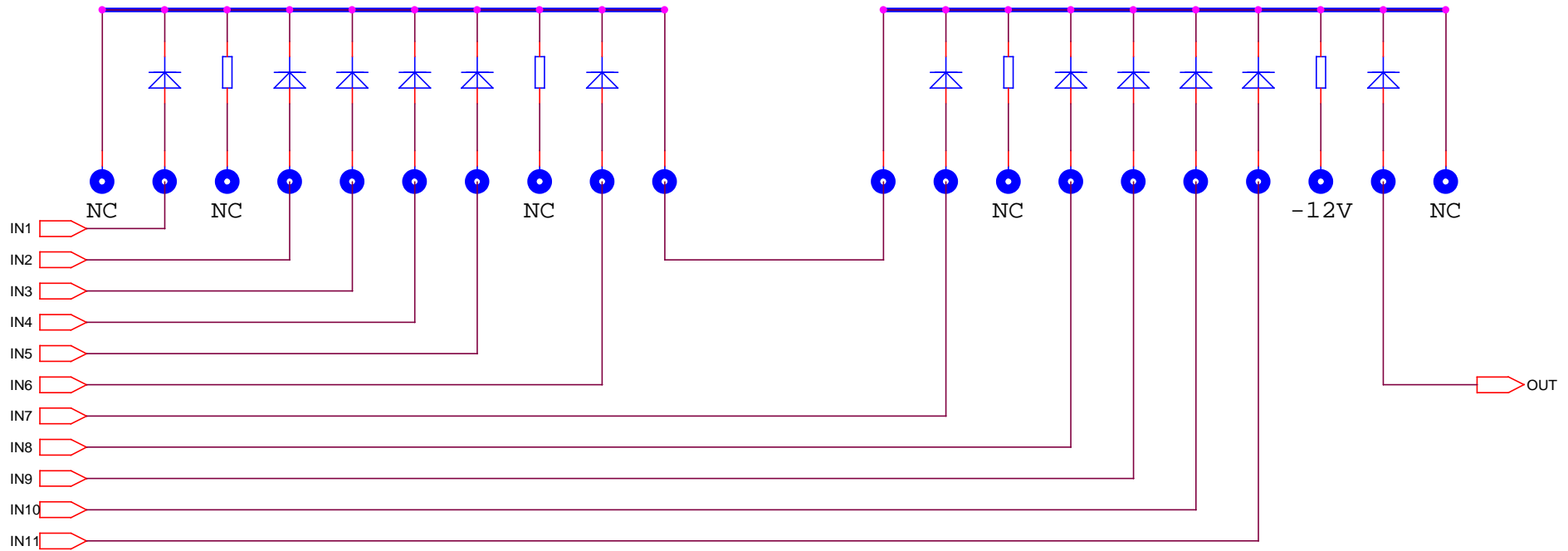


typical Output of
an active element
(Flip-Flop, Inverter,
Buffer)



typical Input of an active element
(Flip-Flop, Inverter, Buffer)
Elevated Emitter potential gives
threshold of about -1.5V

AND expansion to 11 Input AND



OR expansion to 4x 2 Input AND followed by 4 Input OR

