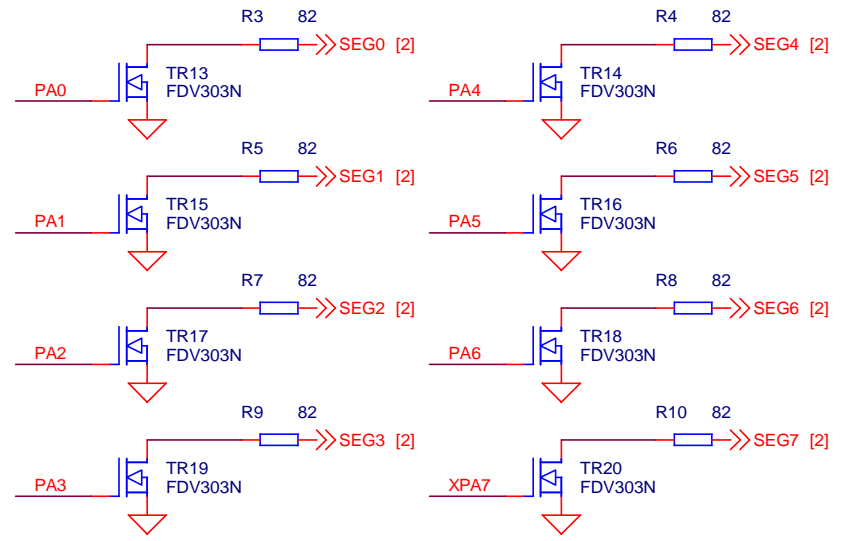


Note: PA7 and PB0 are TTY interface and routed to the MAX3232/FT232RL using other Pins.
 PB6 does not exist on the 6530-002 and is left as input by the monitor.



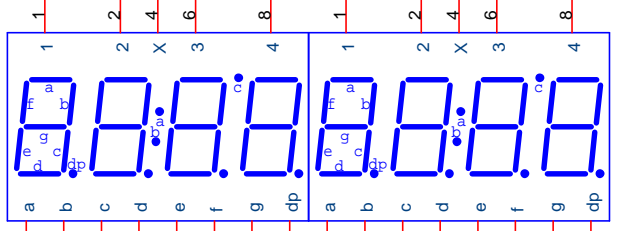
Title		
Logic		
Size	Document Number	Rev
A4	KIM	0
Date:	Wednesday, December 23, 2015	Sheet 1 of 3

[1] ROW2
 [1] ROW1
 [1] ROW0
 [1] DIGIT12
 [1] DIGIT11
 [1] DIGIT10

[1] DIGIT6
 [1] DIGIT5
 [1] DIGIT9
 [1] DIGIT4
 [1] DIGIT3
 [1] DIGIT2
 [1] DIGIT1
 [1] DIGIT8
 [1] DIGIT7

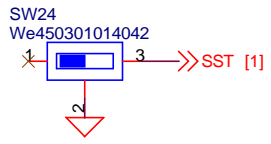
[1] SEG0
 [1] SEG1
 [1] SEG2
 [1] SEG3
 [1] SEG4
 [1] SEG5
 [1] SEG6
 [1] SEG7

LED1
 LTC-4627JR

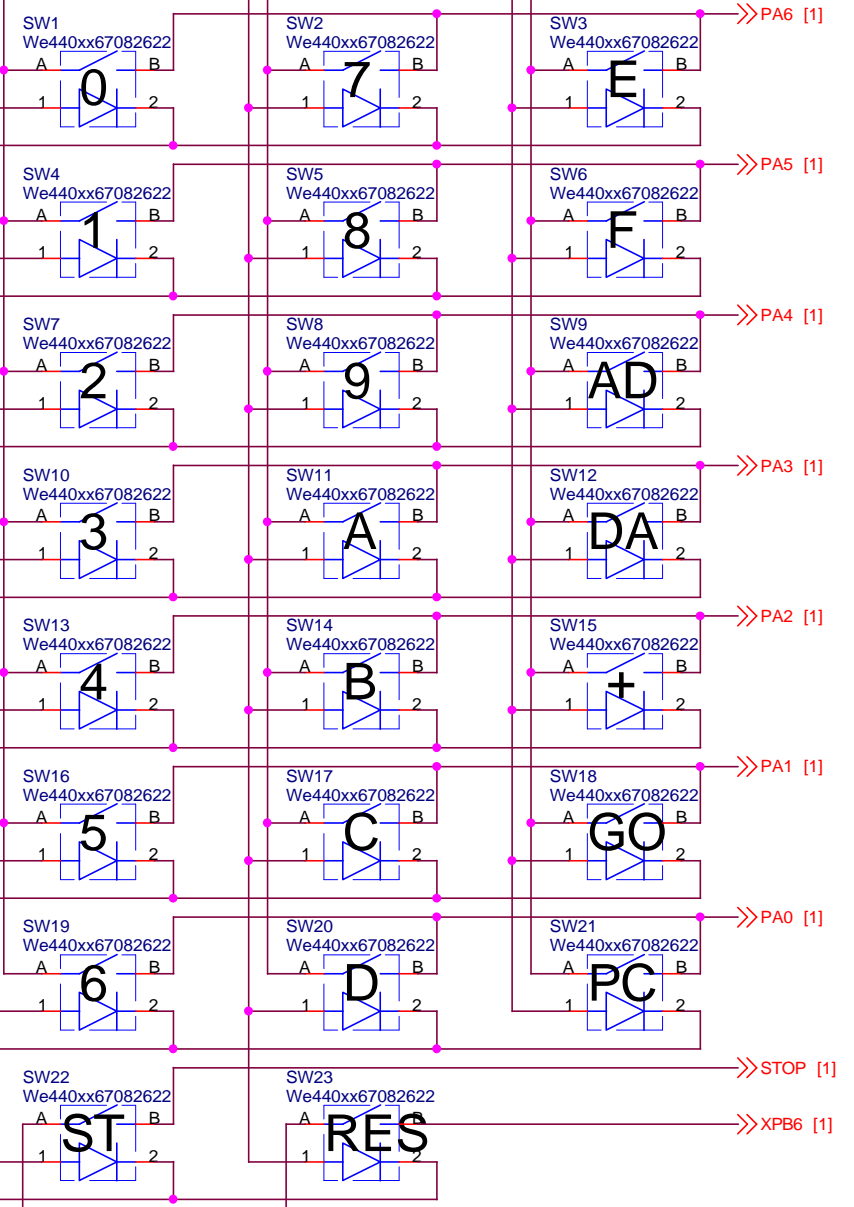
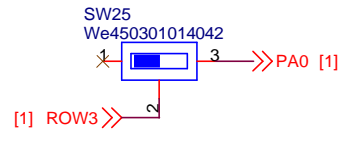


LED2
 LTC-4627JR

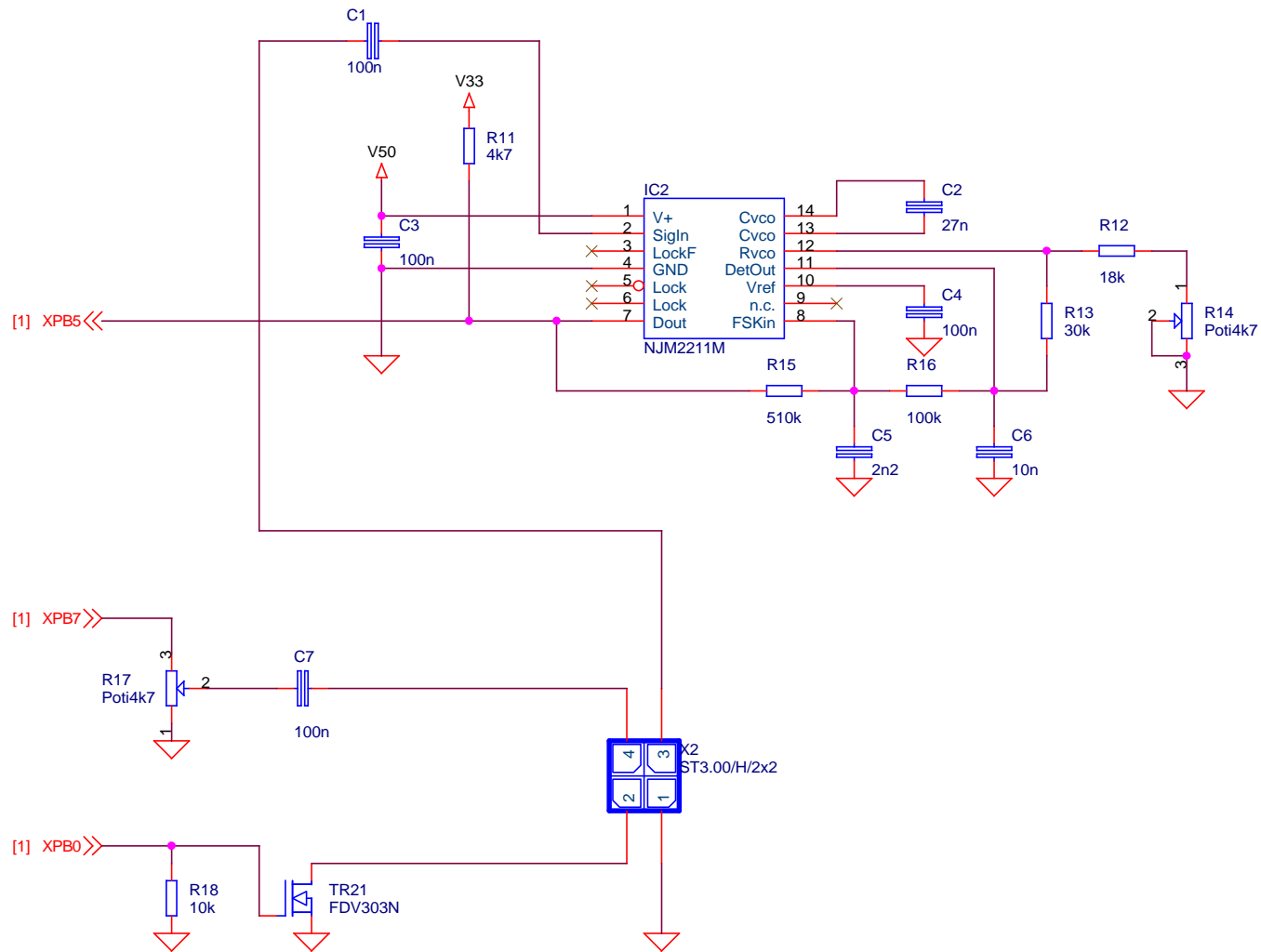
RUN/SST



KBD/TTY



Title		
Display / Keyboard		
Size	Document Number	Rev
A4	KIM	0
Date:	Wednesday, December 23, 2015	Sheet 2 of 3



Title		
Audio Interface		
Size	Document Number	Rev
A4	KIM	0
Date:	Wednesday, December 23, 2015	Sheet 3 of 3