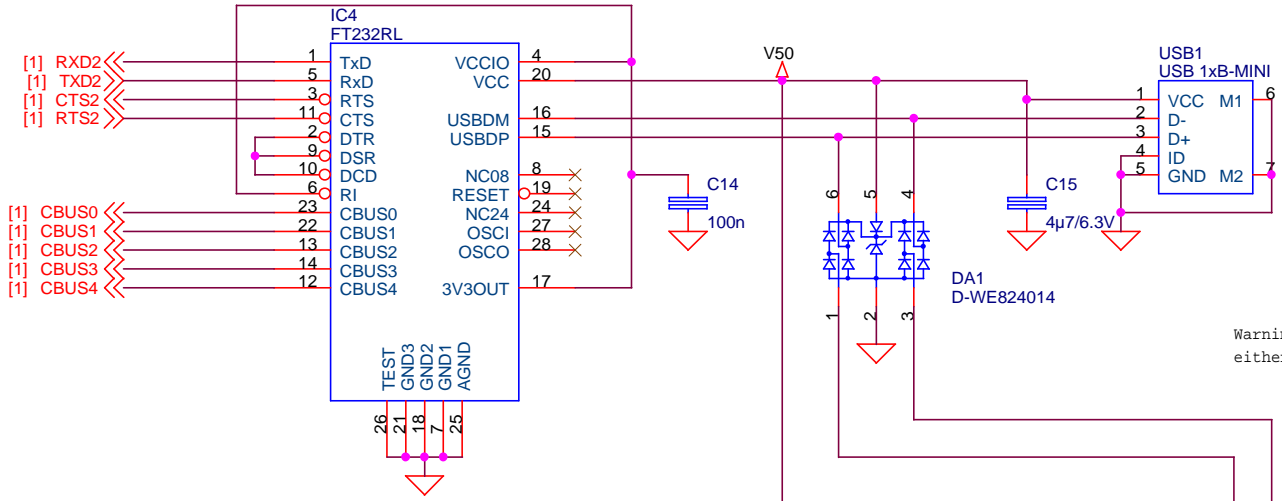
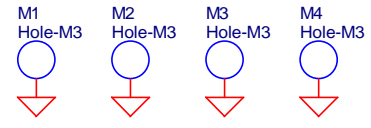
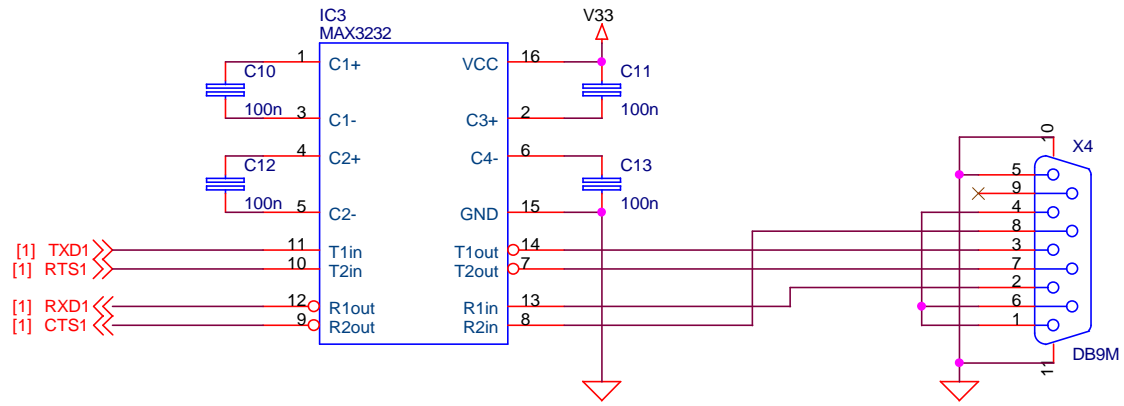
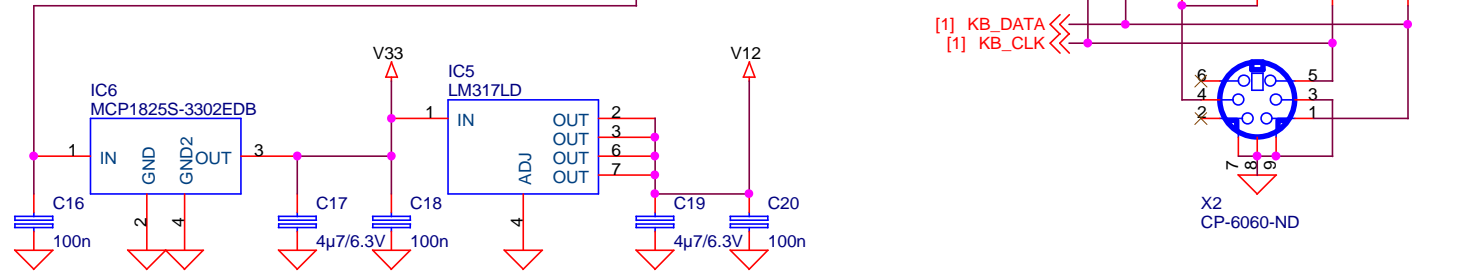


Title			CORE		
Size	Document Number		Rev		
1604	Multicom		0.1		
Date:	Thursday, December 17, 2015		Sheet	1 of 2	



Warning:  
 either 5V or 3V3 to the keyboard!



Title		
Serial / USB / Power		
Size	Document Number	Rev
A4	Multicomp	0.1
Date:	Thursday, December 17, 2015	Sheet 2 of 2